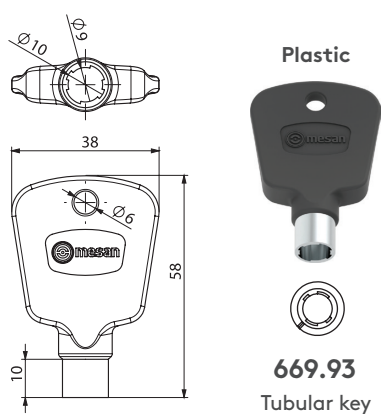

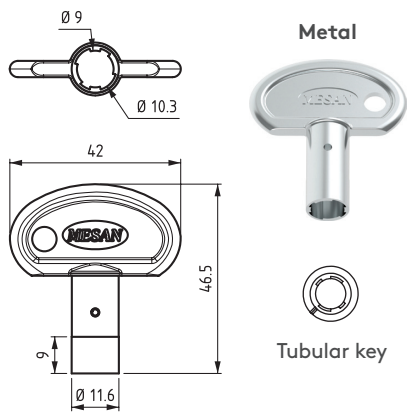
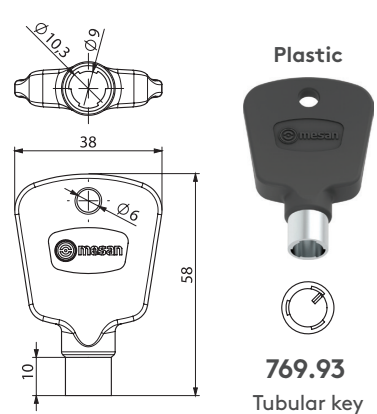
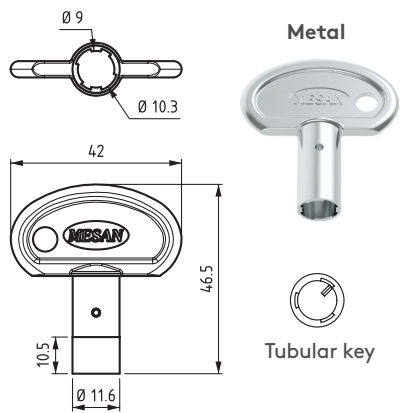
 **Not:** Suitable for 040 & 540 compression locks



 **Not:** Suitable for 140 compression lock



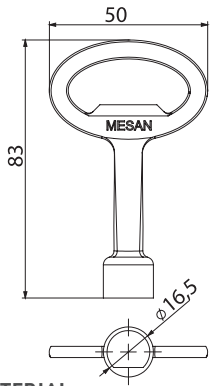
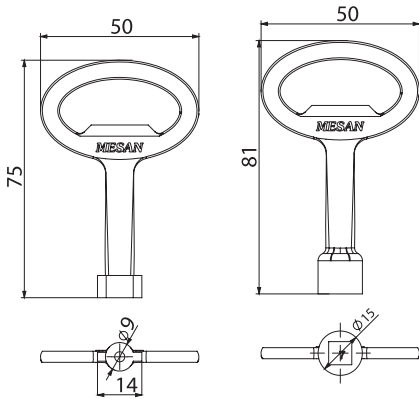
Chrome plated: **369.1.1**
Black coated : **369.1.2**



Chrome plated: **469.1.1**
Black coated : **469.1.2**

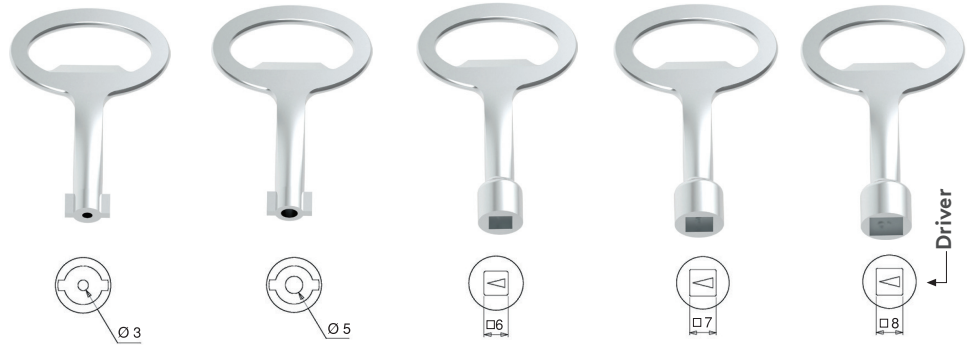
METAL KEY LONG

368



MATERIAL
Zamak DIN-EN 1774-ZnAl4Cu1

FINISH
Chrome plated



368-13
3 mm Double bit

368-15
5 mm Double bit

368-26
6 mm Square

368-27
7 mm Square

368-28
8 mm Square



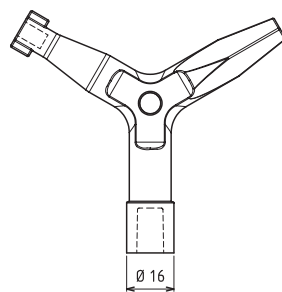
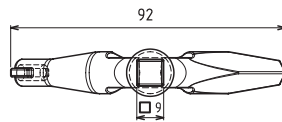
368-37
7 mm Triangular

368-38
8 mm Triangular

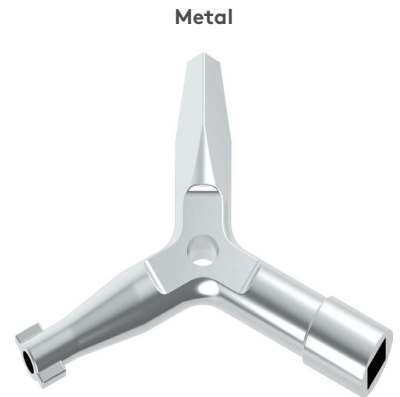
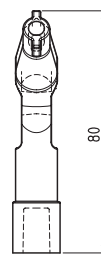
368-39
9 mm Triangular

368-91
Eastern

368-68
8 mm Hexagon
High security



Double bit, Square, Railway



568.1.3
Multiple key

267

METAL KEY SHORT



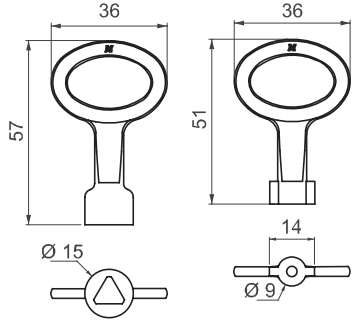
267-13
3 mm Double bit

267-15
5 mm Double bit

267-26
6 mm Square

267-27
7 mm Square

267-28
8 mm Square



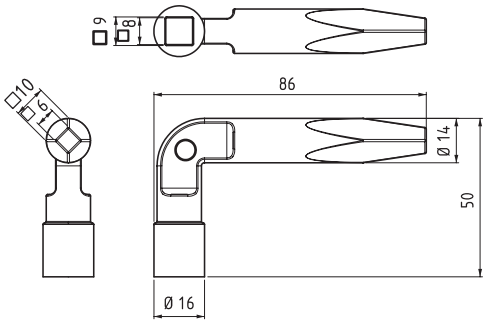
267-37
7 mm Triangular

267-38
8 mm Triangular

267-39
9 mm Triangular

MATERIAL
Zamak DIN-EN 1774-ZnAl4Cu1

FINISH
Chrome plated



Square, Railway

