



# HANDLES



# HANDLES

GROUP CODE	PRODUCT NAME
184	DRAWER HANDLE
286	GRAB HANDLE
084	MILLENIUM HANDLE
085	DRAWER HANDLE
086	GRAB HANDLE
186	GRAB HANDLE
287	GRAB HANDLE
087	GRAB HANDLE
187	GRAB HANDLE
387	GRAB HANDLE
487	GRAB HANDLE
374	FLUSH PULL (SNAP-IN)
274	FLUSH PULL (SNAP-IN)
074	FLUSH PULL (SNAP-IN)
174	FLUSH PULL (SNAP-IN)



PAGE

420

387

421

421

422

422

423

423

424

425

426

427

428

429

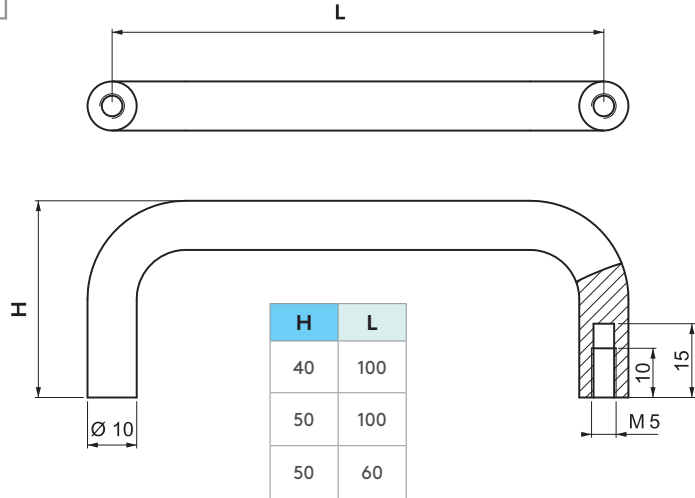
429



# HANDLES

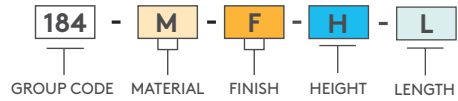
## GRAB HANDLE

184



- Stylish handle for wooden furniture and keyboard shelf in rack cabinets

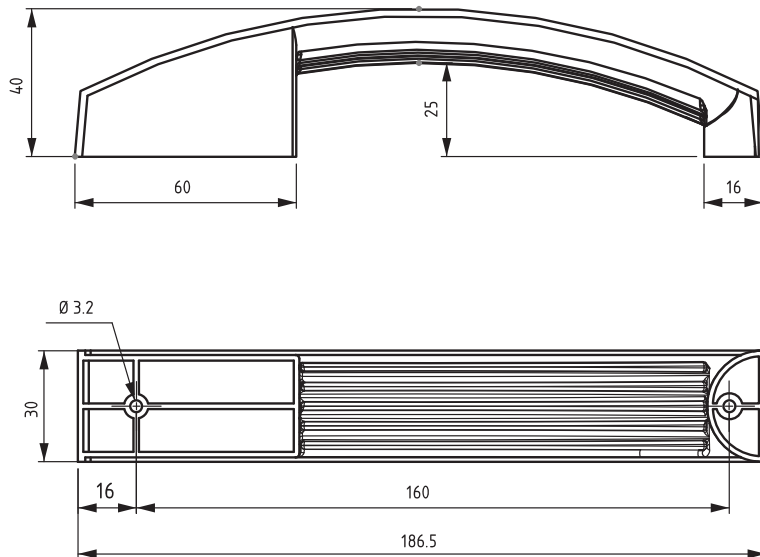
### PRODUCT CODE



MATERIAL	M	FINISH	F
Steel	6	Chrome	1
Aluminium	5	Matt anodized	7
Stainless Steel	4	No finish	0

## GRAB HANDLE

286



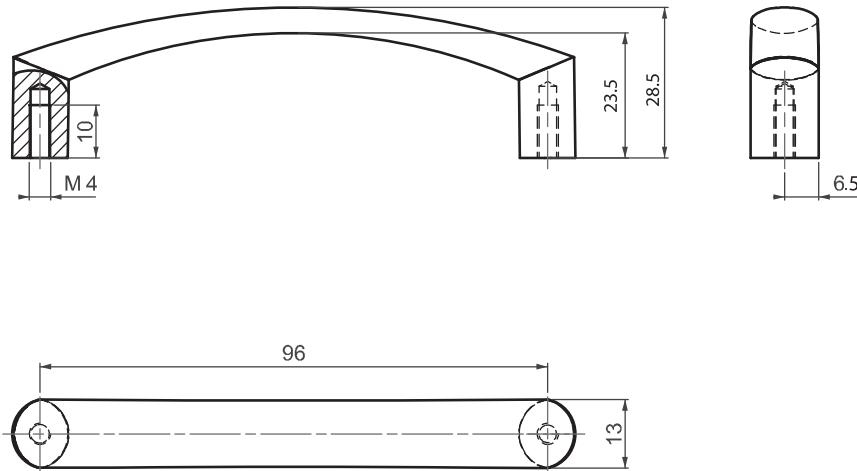
- Stylish
- Internal fixing with two screws

**MATERIAL**  
Polyamide DIN-EN ISO 1043-1  
PA 6 GFR 30



084

MILLENIUM HANDLE



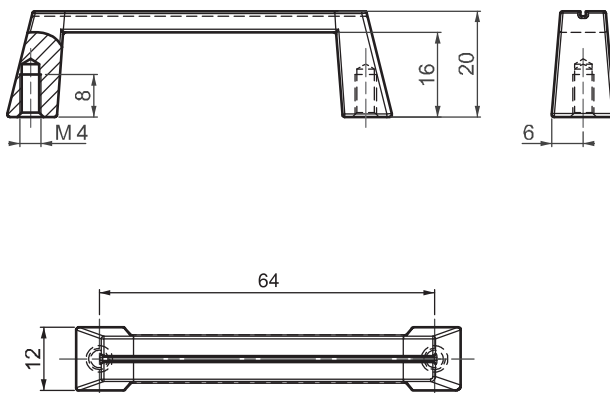
- Stylish handle for wooden furniture

**MATERIAL**  
Zinc Alloy DIN-EN 1774-ZnAl4Cu1

**FINISH**  
Chrome or black coated

085

DRAWER HANDLE

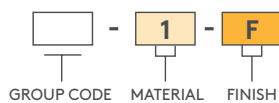


- Stylish handle for wooden furniture and keyboard shelf in rack cabinets

**MATERIAL**  
Zinc Alloy DIN-EN 1774-ZnAl4Cu1

**FINISH**  
Chrome or black coated

PRODUCT CODE

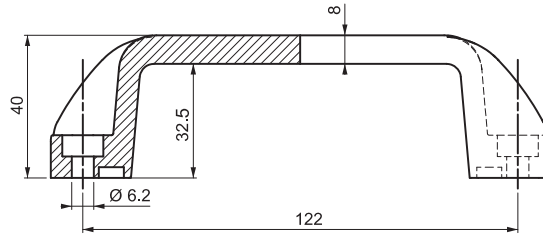


MATERIAL	M	FINISH	F
Zinc Alloy	1	Chrome	1
		Black coated	2

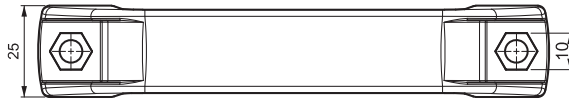
# HANDLES

## GRAB HANDLE

086



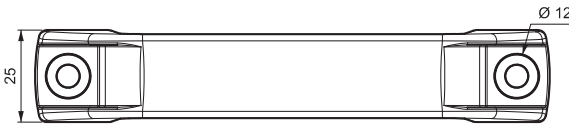
V :1



- Two different fixing types

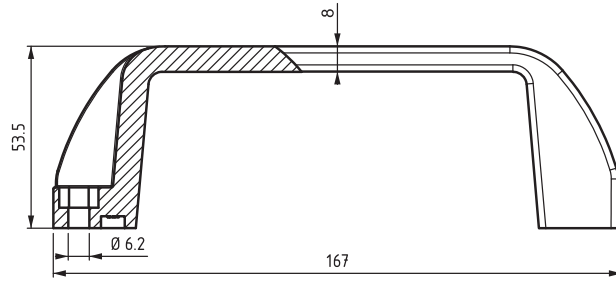
**MATERIAL**  
Polyamide DIN-EN ISO 1043-1  
PA 6 GFR 30

V :2

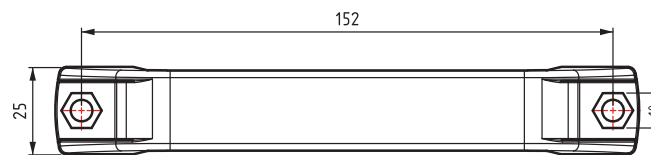


## GRAB HANDLE

186



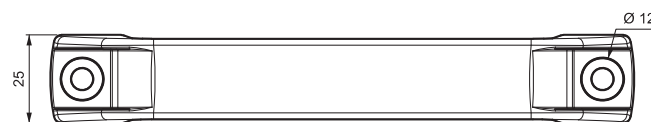
V :1



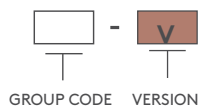
- Two different fixing types

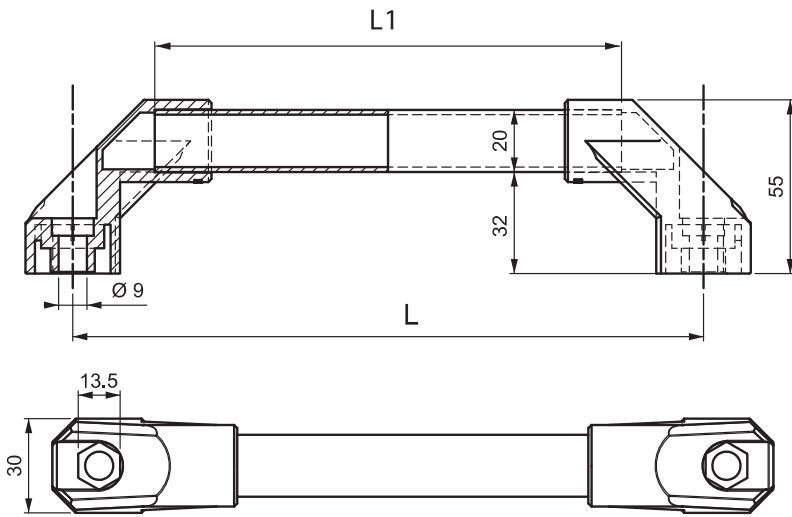
**MATERIAL**  
Polyamide DIN-EN ISO 1043-1  
PA 6 GFR 30

V :2



### PRODUCT CODE





**087**

**GRAB HANDLE**

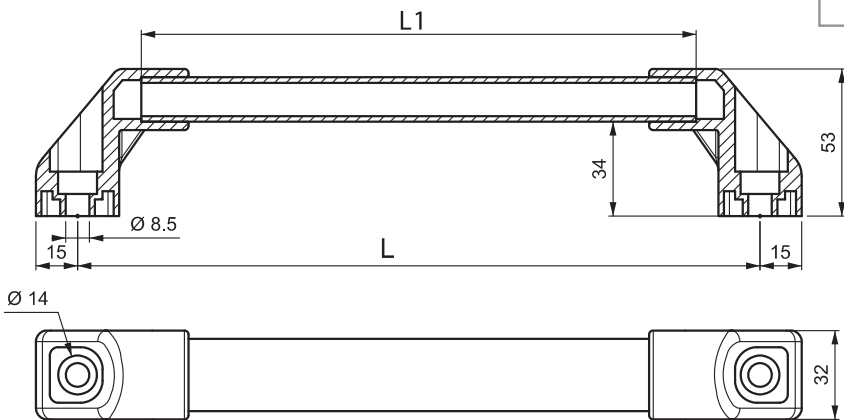


Side part  
(350.02.002)

L1 mm	L mm
148	200
248	300
348	400
448	500

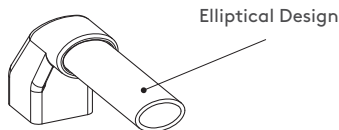
- Matte anodized aluminium
- For different colors and dimensions contact Essentra

**MATERIAL**  
 FIXING PART: Polyamide DIN-EN ISO 1043-1 PA 6 GFR 30  
 HANDLE: Aluminium

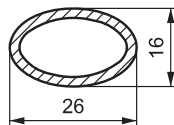


**287**

**GRAB HANDLE**



Elliptical Design

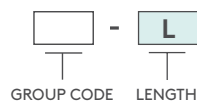


L1 mm	L mm
154	200
254	300
354	400
454	500

- Ergonomic elliptical geometry
- Matte anodized aluminium
- For different colors and dimensions contact Essentra

**MATERIAL**  
 FIXING PART: Polyamide DIN-EN ISO 1043-1 PA 6 GFR 30  
 HANDLE: Aluminium

**PRODUCT CODE**



# HANDLES

## GRAB HANDLE

187

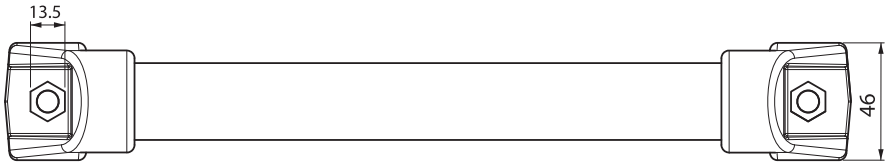
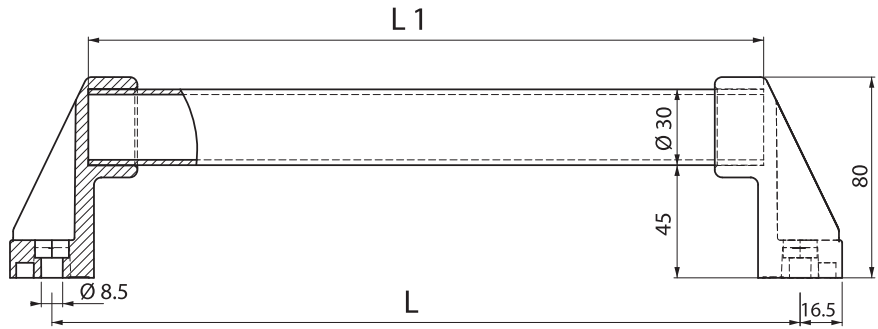


- Plastic-coated steel tube
- Centre supports should be used for handle lengths of 1000 mm or more
- For different colors and dimensions contact Essentra

**MATERIAL**

FIXING PART: Polyamide DIN-EN ISO 1043-1 PA 6 GFR 30

HANDLE: Plastic coated steel



L1 mm	L mm
269	300
369	400
469	500
569	600
669	700
769	800
969	900



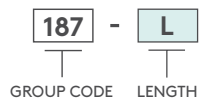
! Middle part should be used for lengths greater than 1000 mm

## MIDDLE HOLDER

340.02.501



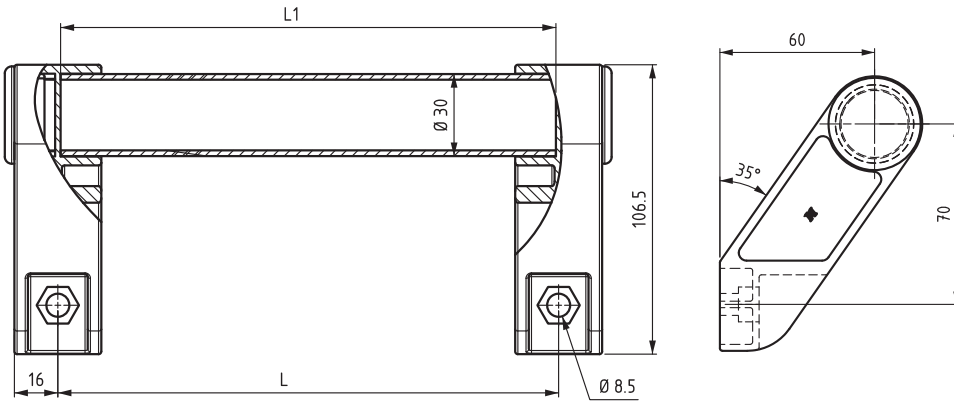
**PRODUCT CODE**





387

GRAB HANDLE



- Plastic-coated steel tube
- Centre supports should be used for handle lengths of 1000 mm or more
- For different colors and dimensions contact Essentra

**MATERIAL**

FIXING PART: Polyamide DIN-EN ISO 1043-1 PA 6 GFR 30  
HANDLE: Plastic-coated steel

L1 mm	L mm
298	300
398	400
498	500
598	600
698	700
798	800
998	1000



! Middle part should be used for lengths greater than 1000 mm

350.02.028

MIDDLE HOLDER



PRODUCT CODE

387 - L

GROUP CODE LENGTH



# HANDLES

## GRAB HANDLE

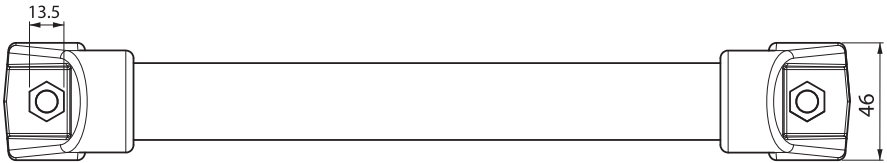
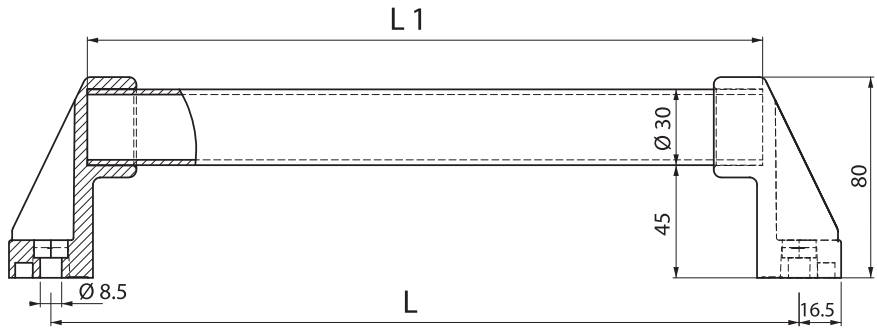
487



- Stainless steel handle
- Centre supports should be used for handle lengths of 1000 mm or more
- For different colors and dimensions contact Essentra

**MATERIAL**

FIXING PART: Polyamide DIN-EN ISO 1043-1 PA 6 GFR 30  
 HANDLE: Stainless steel



L1 mm	L mm
269	300
369	400
469	500
569	600
669	700
769	800
969	900



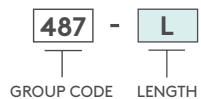
! Middle part should be used for lengths greater than 1000 mm

## MIDDLE HOLDER

340.02.501



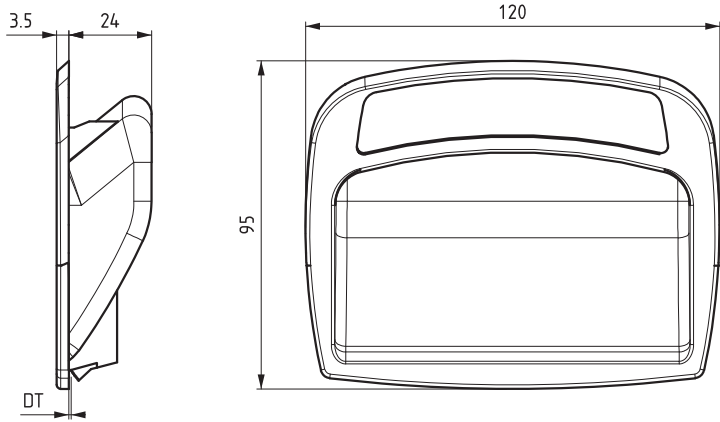
**PRODUCT CODE**





**374**

**FLUSH PULL (SNAP-IN)**

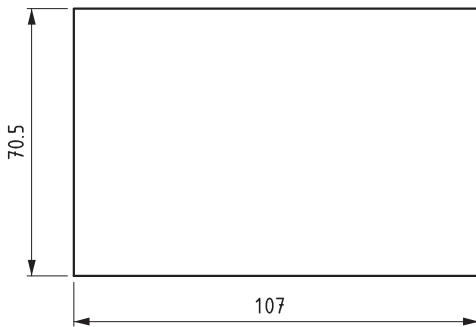


DOOR THICKNESS	DT
0.8 - 1.4 mm	15
1.5 - 2.2 mm	22



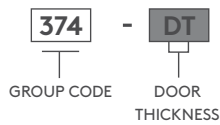
- Easy assembly by clips
- For custom logo and colors please contact Essentra

**MATERIAL**  
ABS



Cut Out

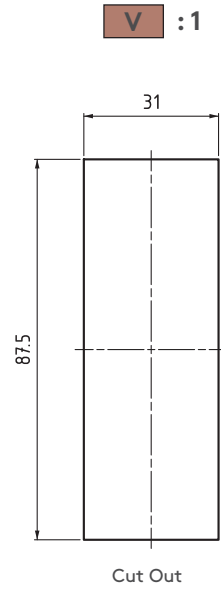
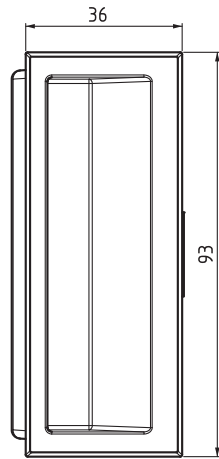
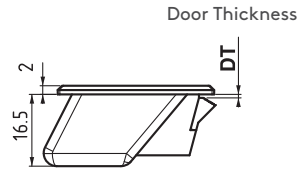
**PRODUCT CODE**



# HANDLES

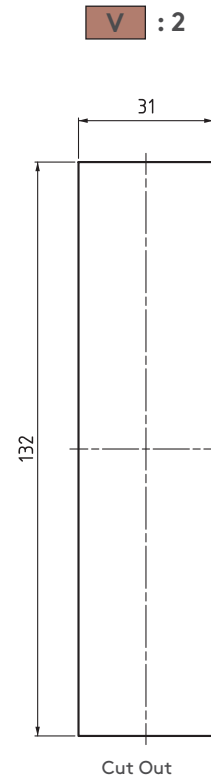
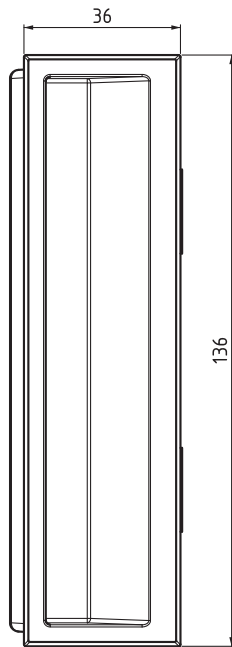
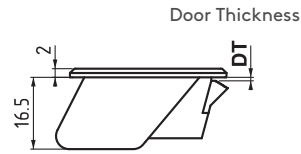
FLUSH PULL (SNAP-IN)

274



- Flush design
- Easy assembly by clips

**MATERIAL**  
ABS



**PRODUCT CODE**

274 - V - DT

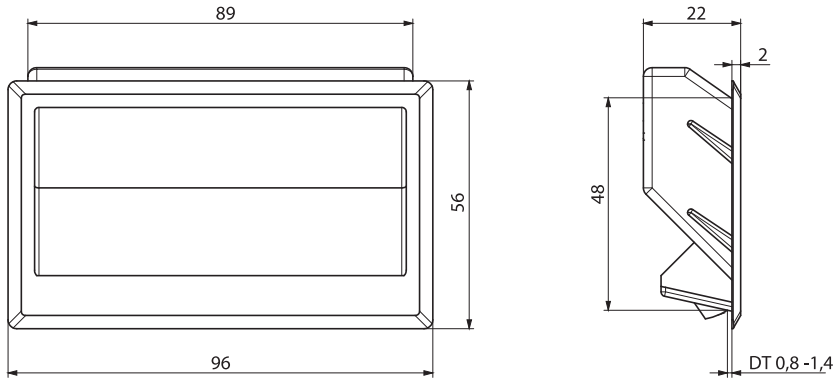
GROUP CODE    VERSION    DOOR THICKNESS

DOOR THICKNESS	DT
0.8 -1.4 mm	15
1.5 - 2.2 mm	22



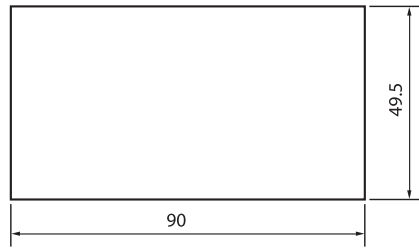
074

FLUSH PULL (SNAP-IN)



- For large door
- Easy assembly by clips

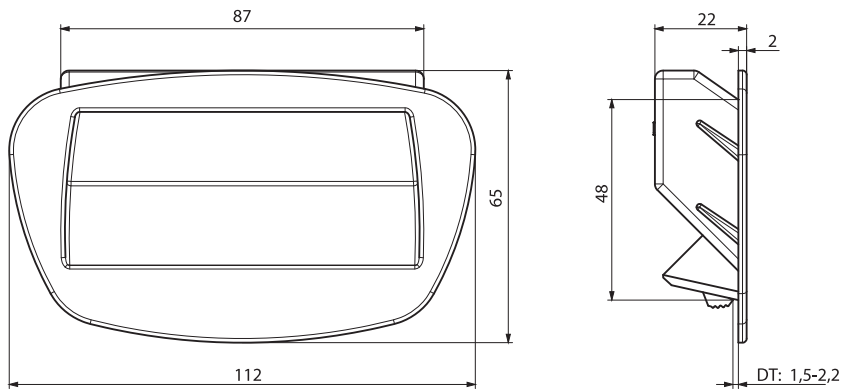
**MATERIAL**  
ABS



Cut Out

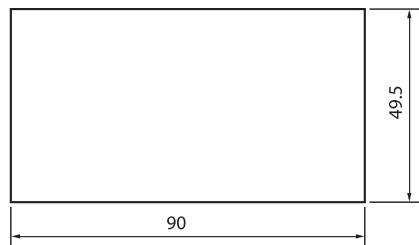
174

FLUSH PULL (SNAP-IN)



- For large doors
- Easy assembly by clips

**MATERIAL**  
ABS



Cut Out